

Overview

The NXA-KLB (FG2259-10) is an optional accessory for AMX Table Top (NXT-) 1200V and VG-Series touch panels, which allows you to use a standard Kensington Lock System to prevent theft.

The Kensington Lock System itself (including lock, key and security cable) is sold separately.

The Kensington Lock System is a security system from Kensington Technology Group (www.kensington.com) that discourages the theft of portable computers and other devices (in this case touch panels) by using a security cable and lock to anchor the panel to an object in the room. The security cable is looped through a permanent object in the room, then looped through itself and locked into the slot. Once secured in this way, the panel cannot be removed from its location unless it is unlocked (using the key that comes with the Kensington Lock assembly).

The NXA-KLB Bracket attaches to the base of the Table Top 1200V and VG-Series panels (listed below) using keyed-lock securing screws that can only be removed with the included AMX Keyed-Lock screwdriver adapter. This screwdriver head fits into most hex-type screwdrivers or electric drills.

There are two versions of the Bracket included with the kit, as indicated in FIG. 1:

- The **Flat Lock Bracket** fits neatly into the rear of the panel's base, allowing you to close the rear connector plate cover on the base while the panel is secured.
- The **Raised Lock Bracket** also allows you to use the Kensington Lock System to secure the panel, while providing a surface to which you can secure incoming cables.

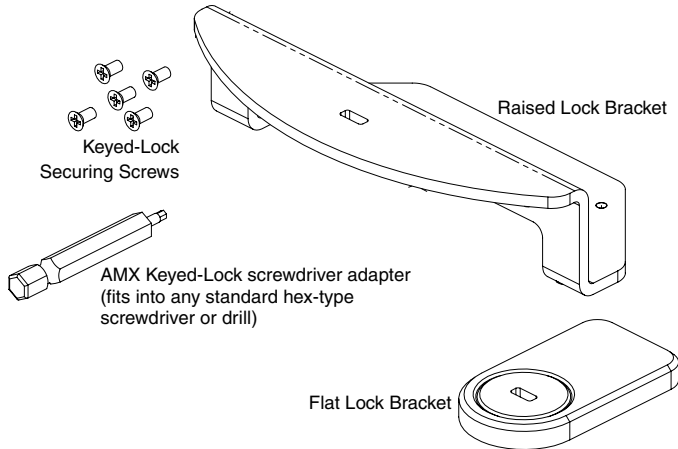


FIG. 1 NXA-KLB Components

Product Specifications

NXA-KLB Specifications	
Compatible AMX Touch Panels:	<ul style="list-style-type: none"> • NXT-1200V, 12" Modero Video Table Top Panel (FG2250-60) • NXT-1200VG, 12" Modero Multimedia Table Top Panel (FG2250-61) • NXT-1500VG, 15" Modero Multimedia Table Top Panel (FG2252-61) • NXT-1700VG, 17" Modero Multimedia Table Top Panel (FG2257-61)
Requirements:	<ul style="list-style-type: none"> • The NXA-KLB must be used with a standard Kensington Lock System <i>Note: The Kensington Lock System must be purchased separately, and is not provided by AMX.</i>
Included Accessories:	<ul style="list-style-type: none"> • Raised Lock Bracket (with cable tie down) (black) • Flat Lock Bracket (black) • AMX Keyed-Lock screwdriver adapter • Keyed-Lock Securing Screws (5)

Preparing the Touch Panel to Install the NXA-KLB

1. Gently place the touch panel LCD facedown onto a soft cloth to expose the under-side of the base and prevent scratching of the LCD (FIG. 2).
 - You may find it easier to handle the panel if you carefully detach all connectors.
2. Tilt the base forward so that the bottom surface of the base is easily accessible. This provides access to the underside of the unit and exposes the securing location for the Kensington Lock Bracket (FIG. 2).
3. Determine which type of bracket (*Raised* or *Flat*) you will be installing:
 - If your installation requires secured cables, use the Raised Lock Bracket.
 - If your installation requires a low-profile security solution, use the Flat Lock Bracket.

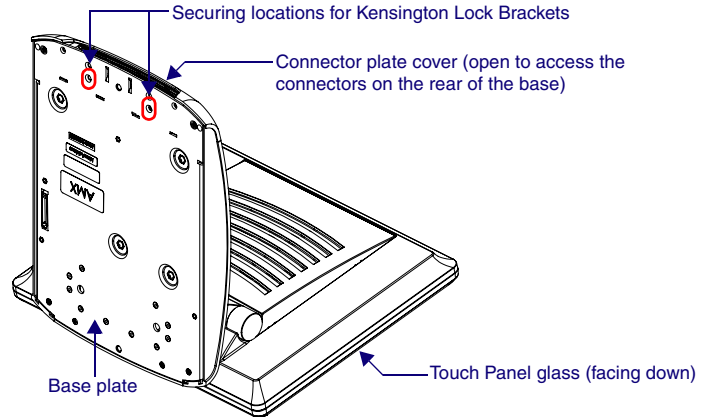


FIG. 2 Location of the securing locations on an NXT (Table Top) panel

Method A: Installing the Raised Lock Bracket

Note that once installed, the shape of the Raised Lock Bracket will not allow the Connector Plate Cover on the base of the panel to be closed.

1. Raise the Connector Plate Cover, and align the openings on the bottom of the Raised Lock Bracket to the securing locations on the Base Plate of the panel (FIG. 2).

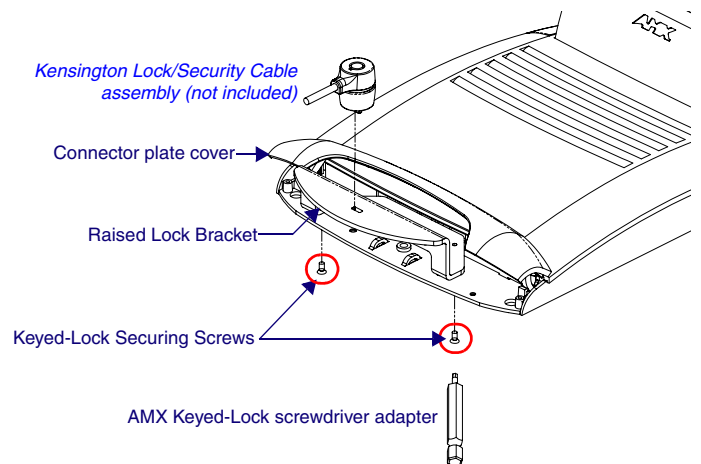


FIG. 3 Raised Kensington Lock Bracket Components and Installation

2. Insert two Keyed-Lock Securing Screws into their respective locations (FIG. 3).
3. Use the Keyed-Lock screwdriver adapter to tighten these screws, securing the Raised Lock Bracket to the base plate (FIG. 4).

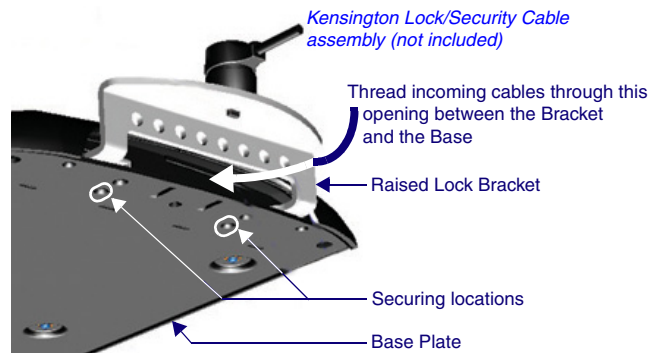


FIG. 4 Raised Securing locations

4. Thread the incoming cables through the opening between the bottom of the Raised Bracket and the Base Plate (FIG. 4).
5. Reconnect the cables (on the rear connector plate).
6. Thread a tie-wrap (not included) through the center pair of circular openings on the bracket (FIG. 5) and use it to secure all of the NXA-MTC/RGB cables to the bracket. Trim off any excess length on the tie-wrap (if necessary).

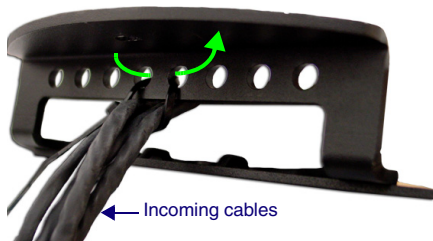


FIG. 5 Thread a tie-wrap through the center holes on the Raised Lock Bracket

7. Assemble the Kensington Lock/Security Cable (not included). Refer to the documentation provided by the lock manufacturer for details.
8. Open the Lock to rotate the lock mechanism so that it can be inserted into the slot on the top center of the Raised Lock Bracket (FIG. 6).

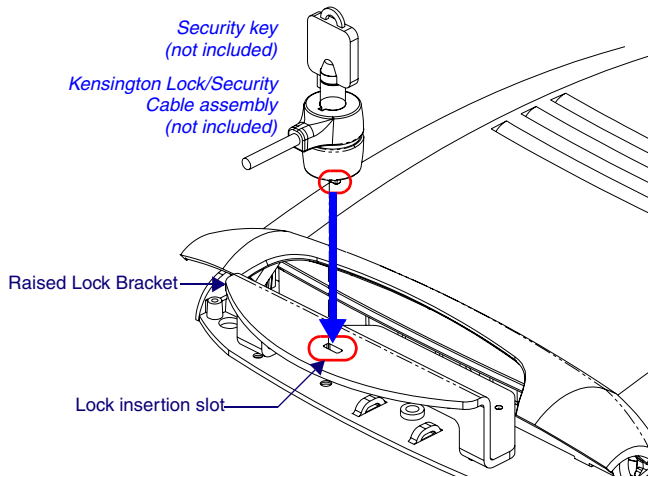


FIG. 6 Lock mechanism and insertion location

Method B: Installing the Flat Lock Bracket

1. If you removed the connectors previously, re-insert them into their proper locations on the touch panel. This ensures that the Flat Bracket will not obstructing any of the connectors on the rear panel.
2. Align the openings on the bottom of the Flat Lock Bracket to the securing locations on the *left* side of the touch panel connector plate (located under the connector plate cover, as indicated in FIG. 7).

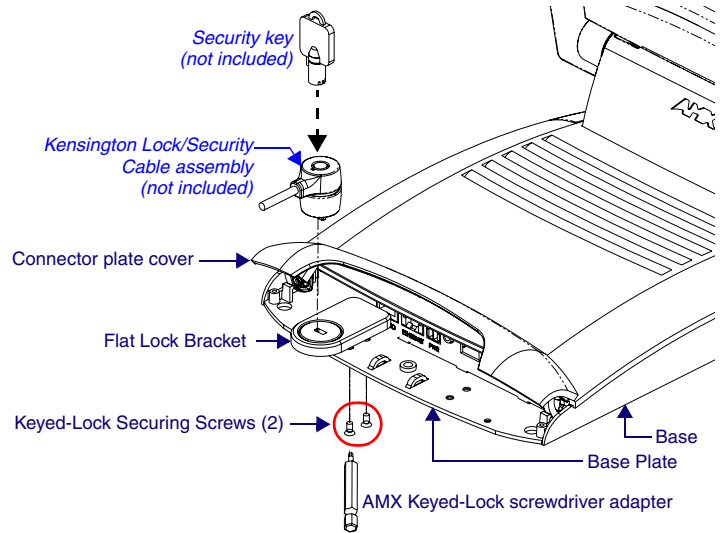


FIG. 7 Flat Lock Bracket - Components and Installation

3. Insert two Keyed-Lock Securing Screws into their respective locations (FIG. 7).
4. Use the AMX Keyed-Lock screwdriver adapter to tighten the screws and secure the Flat Lock Bracket to the base plate (FIG. 7).
5. Assemble the Kensington Lock/Security Cable (not included). Refer to the documentation provided by the lock manufacturer for details.
6. Open the Lock to rotate the lock mechanism so that it can be inserted into the opening in the top of the Flat Lock Bracket (FIG. 8).

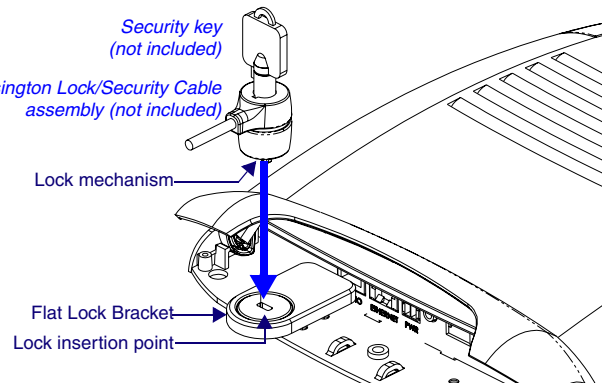


FIG. 8 Lock mechanism and insertion point